

**INSTALLATION – OPERATION – MAINTENANCE**

**TRENT**



**IMPORTANT:**

- read the following instructions carefully and keep it in safe place for future consultations
- all work required to install the appliance should be carried out in compliance with all local standards and regulations and must be carried out by qualified personnel

**INTENDED USE**

**These heated display is specially designed for snacks, bars, bakeries. It will allow you to display and keep the temperature of croissants, pizza, pastries and similar.**

**1. INSTALLATION INSTRUCTION****1.1 SPECIFICATIONS**

Model	Outside dimensions mm	Operating temperature °C	Net weight KGs	Electrical specification		
				Power W	Light W	Voltage
TRENT	606x420x428	+30/+90	30	1 030	2x8	230 V-50Hz

Wiring diagram: please see appendix W

Construction details: please see appendix C

**1.2 POSITIONING**

- during transportation, moving or any handling care should be taken to avoid breaking the glasses. Don't tip it on sides unnecessarily.
- remove the appliance from its packing and move to its position. Remove the protective plastic film
- **level the unit by mean of the adjustable feet**
- clean parts thoroughly to remove all adhesive parts (do not use abrasive substances), never use water jets for cleaning

**1.3 ELECTRICAL CONNECTION**

- **the electrical wiring has to be done by a qualified technician**
- check if the supplied cord and plug are in perfect condition
- check the compliance of the power supply with the needed voltage
- connect the appliance to power supply only if a.m. conditions are fulfilled

**IMPORTANT:**

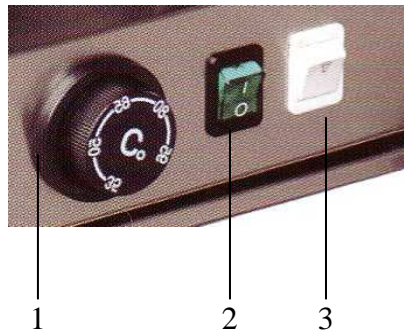
- the manufacturer decline all responsibility where poor performance is due to incorrect installation in disregard of the above conditions

## 2. OPERATING INSTRUCTION

### 2.1 OPERATION

- the temperature setting of the display is done through the thermostat, to preheat it, set the thermostat on the wanted position
- put some water inside the tray located on the bottom center in order to regulate the humidity inside the display
- to switch on the inside light of the display push the lightening switch on

### 2.2 CONTROL PANEL



- 1 – thermostat
- 2 - ON/OFF switch
- 3 - light switch

### 2.3 SWITCHING ON

- to turn the display on push on the ON/OFF switch (I-ON, 0-OFF)

### 2.4 USING THE APPLIANCE

#### ADJUSTMENT OF HEATED TEMPERATURE

- turn the thermostat on required position

#### HUMIDITY

- you can set the humidity with the water you put in the small container located in the bottom center

### 2.5 SWITCHING OFF

- switch off the main ON/OFF switch

### **3. CORRECT USE, CLEANING AND MAINTENANCE**

Careful use and maintenance will ensure that your appliance gives long and trouble free service.

#### **3.1 CORRECT USE**

Follow the operating instructions given here and do not tamper with the safety devices.

- an unobstructed space of at least 20 mm must be left between the products and the shelves
- do not cover by plates and similar the ventilation holes of the shelves
- all products must be removed from the appliance and stored in proper boxes

#### **3.2 CLEANING**

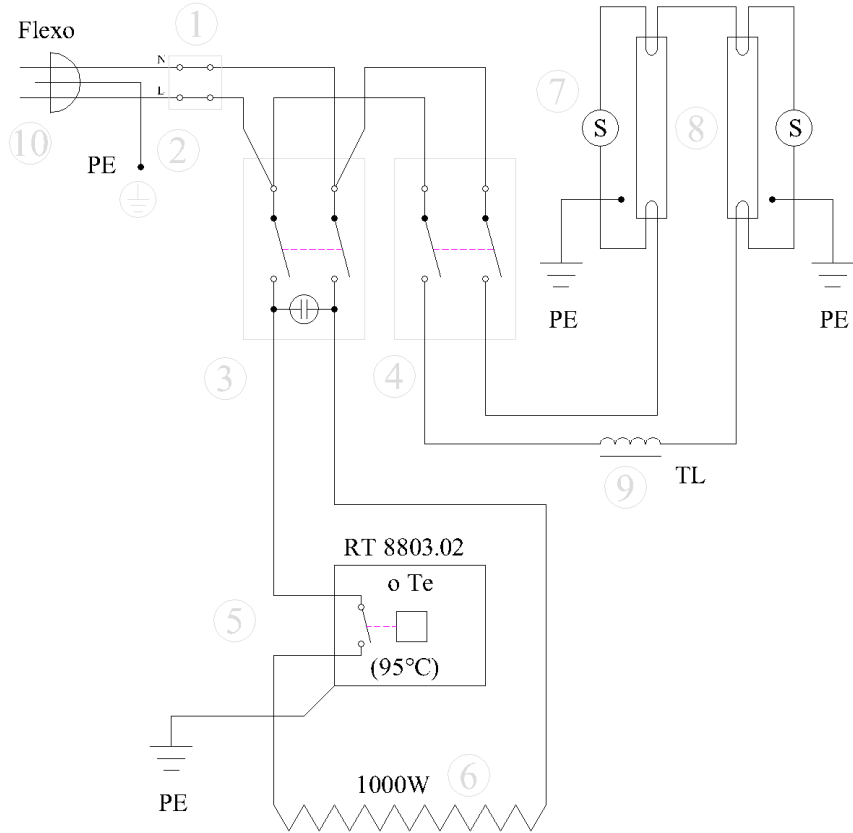
- carefully and frequently clean the surfaces using a damp cloth, use soap and water or normal detergents, so long as these do not contain abrasives or chlorine based substances. The fundamental rule is to guarantee that the cleaning products are both non-toxic and hygienic.
- **do not use high pressure cleaning methods**
- **before cleaning always switch of the power and let the display cool down completely**
- do not use any abrasive substances

#### **3.3 MAINTENANCE**

The appliance is built to require little maintenance:

- **frequently check the cord and socket**

# Wiring diagram



- 1 - terminal block
- 2 - earth screw
- 3 - heating contact maker
- 4 - light contact maker
- 5 - thermostat

- 6 - heating element
- 7 - fluorescent lamp 8W
- 8 - starter
- 9 - inductor 30W
- 10 - cable